



# MICRO SWITCH

FREEPORT, ILLINOIS, U.S.A.  
A DIVISION OF HONEYWELL

FED. MFG. CODE 91929

# SWITCH - BASIC

CATALOG LISTING

# BZ-2RL-A2

BZ-2RL-A2

PAGE 1 OF 1

M

DRAWING NUMBER

5

ISSUE

REPLACES

RELEASE NO.

CHECK

### REVISIONS

A	CO17410
G C H	16 AUG 63
B	CO-73287-D
K D R	8 JULY 93
C	CO-77589
K D R	29 MAR 94
D	CO93346
DLT	8 SEP 98

CHECK

26 AUG 63

DAW

CHECK

16 AUG 63

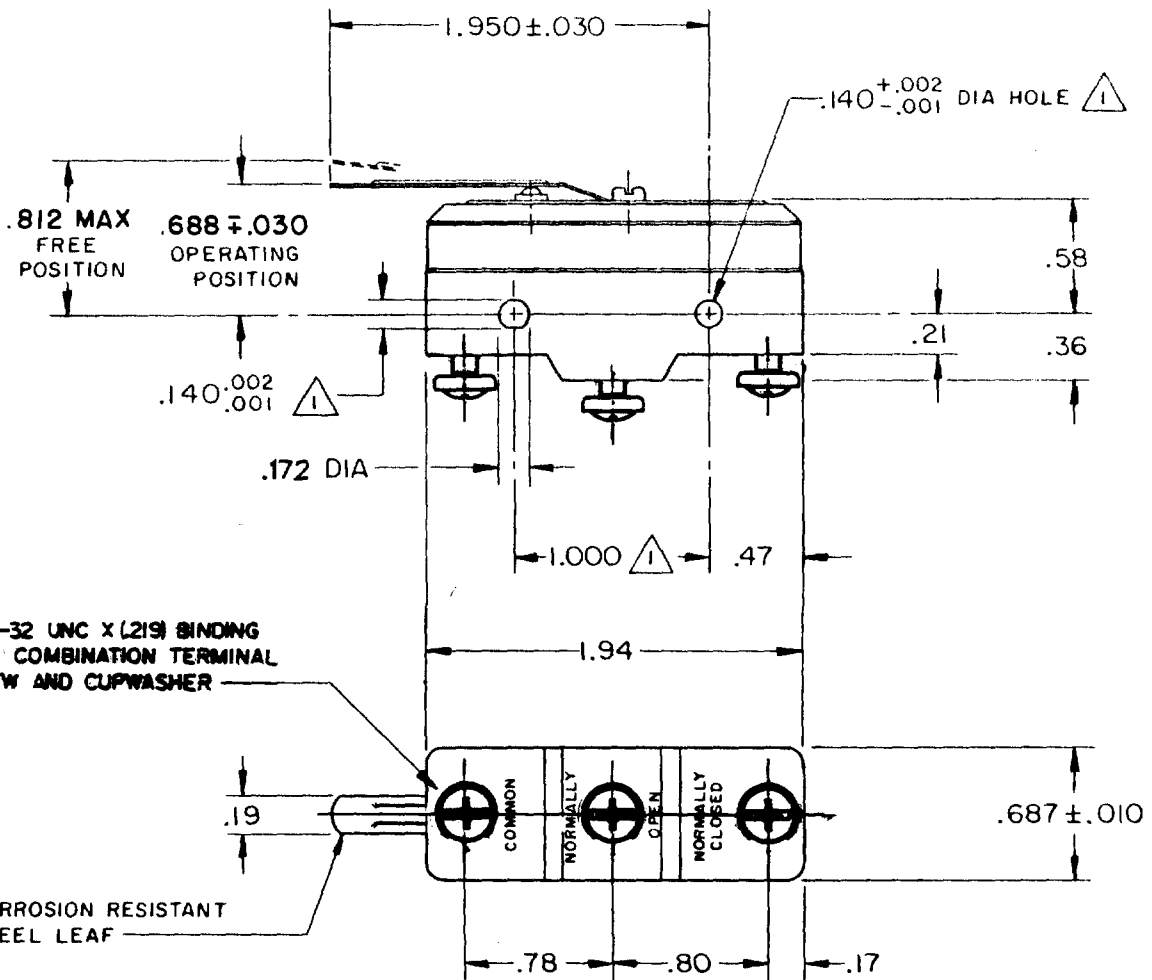
CHECK

FORMTEK

FO-50378

DRAWN

G C H



NOTES  
 1 MOUNTING HOLES WILL ACCEPT PINS OR SCREWS OF .139 MAX DIA ON 1.000 ± .002 CENTERS

THIS DRAWING COVERS A PROPRIETARY ITEM AND IS THE PROPERTY OF MICRO SWITCH, A DIVISION OF MINNEAPOLIS-HONEYWELL REGULATOR CO. THIS DRAWING IS NOT TO BE COPIED OR USED WITHOUT THE APPROVAL OF MICRO SWITCH.

CHARACTERISTICS
OPERATING FORCE ----- 5 OZ MAX
RELEASE FORCE ----- 1/2 OZ MIN
DIFFERENTIAL TRAVEL ----- .050 MAX
DO NOT OVERTRAVEL MORE THAN ----- .060

ELECTRICAL DATA
CONTACT ARRANGEMENT S P D T
UNDERWRITERS' LAB. INC. LISTED RATING
-L96- 15 A - 125, 250, OR 480 VAC 1/2 A - 125 VDC; 1/4 A - 250 VDC 1/8 HP - 125 VAC, 1/4 HP - 250 VAC
-L288- -L299- -L306-
CE D SP 16A 250V ~ T85 5E4

SCALE FULL
DO NOT SCALE PRINT
UNLESS OTHERWISE NOTED DIMENSIONS ARE IN INCHES
TOLERANCES ARE:
ONE PLACE (.0) ± .030
TWO PLACE (.00) ± .015
THREE PLACE (.000) ± .005
ANGLES ±
WEIGHT .063 LB